

Parika dois - extension 2 levels

for Amine, Babacu, Cedro, Para and S-variations



Technical data

load capacity	1 st level	40 kg
	2 nd level	20 kg
dimensions	depth 1 st level	475 mm
	depth 2 nd level	350 mm up to 450 mm + option
support distance		540 mm
height adjustable		8 steps up to 350 mm from level 1
angle adjustable		8 steps
tare weight	netto	10,8 kg
material	tubes	steel, plastic coated
	screws	steel, galvanized
	plastic parts	PA, PE, TPE

Important practical assembly instructions - Wing nuts

Screw all connections loosely until the final assembly. For better expandability of the system, it is recommended that all M6 wing nuts between the level assembly face inward, but the M5 wing nuts of the levels as well as M8 of the main beam face outward. If wing nuts in the levels interfere upwards, turn the carriage bolts by 45 degrees.

Important safety instructions

The level assembly must always be firmly connected to the keyboard stand with the screws.

The keyboard stand and its structure must not be loaded beyond the permitted load-bearing capacity and on one side.

The load must be as uniform as possible.

All screw connections must always be tightened firmly.

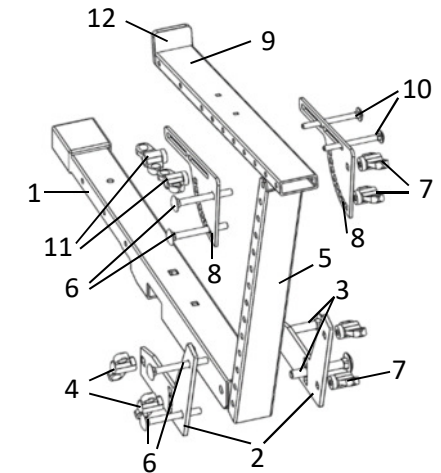
The height adjustment must not be carried out in the loaded state.

Defective elements must be replaced for safety reasons.

Assembly instructions 2 levels

Single parts

1	main carrier 40x40mm	(2x)
2	sheet metal part below	(4x)
3	screw M8x60	(4x)
4	wing nut M8	(4x)
5	rectang. tube 40x20mm	(2x)
6	screw M6x60	(8x)
7	wing nut M6	(8x)
8	sheet metal part 2 nd level	(4x)
9	rectangular tube 2 nd level	(2x)
10	screw M5x60	(4x)
11	wing nut M5	(4x)
12	stop part level	(2x)



Mounting

Place shaped sheet metal part (2) at the bottom left and right of the main girder (1) and screw together with lock screws M8x60 (3) and wing nuts M8 (4) (please observe wing nut alignment).

Place rectangular tube (5) between the shaped sheet metal parts (2) and fasten with carriage bolts M6 (6) and wing nuts (6).

Arrange the shaped sheet metal parts level (8) on the left and right and fasten loosely using carriage bolts M6x60 (6) and wing nuts (7). Place the rectangular tubes on the level (9) between the shaped sheet metal parts on the level (8) and fasten them loosely at the correct angle using M5x60 lock screws (10) and wing nuts (11).

Place the finished abutments on the base member at a distance of 540 mm and fasten them with the M8x80 lock screws and M8 wing nuts of the base member. Slide the stop plane (12) onto the rectangular tube plane and fasten it with screws (screw head pointing outwards). **When all elements are in the correct position, screw everything tight.**